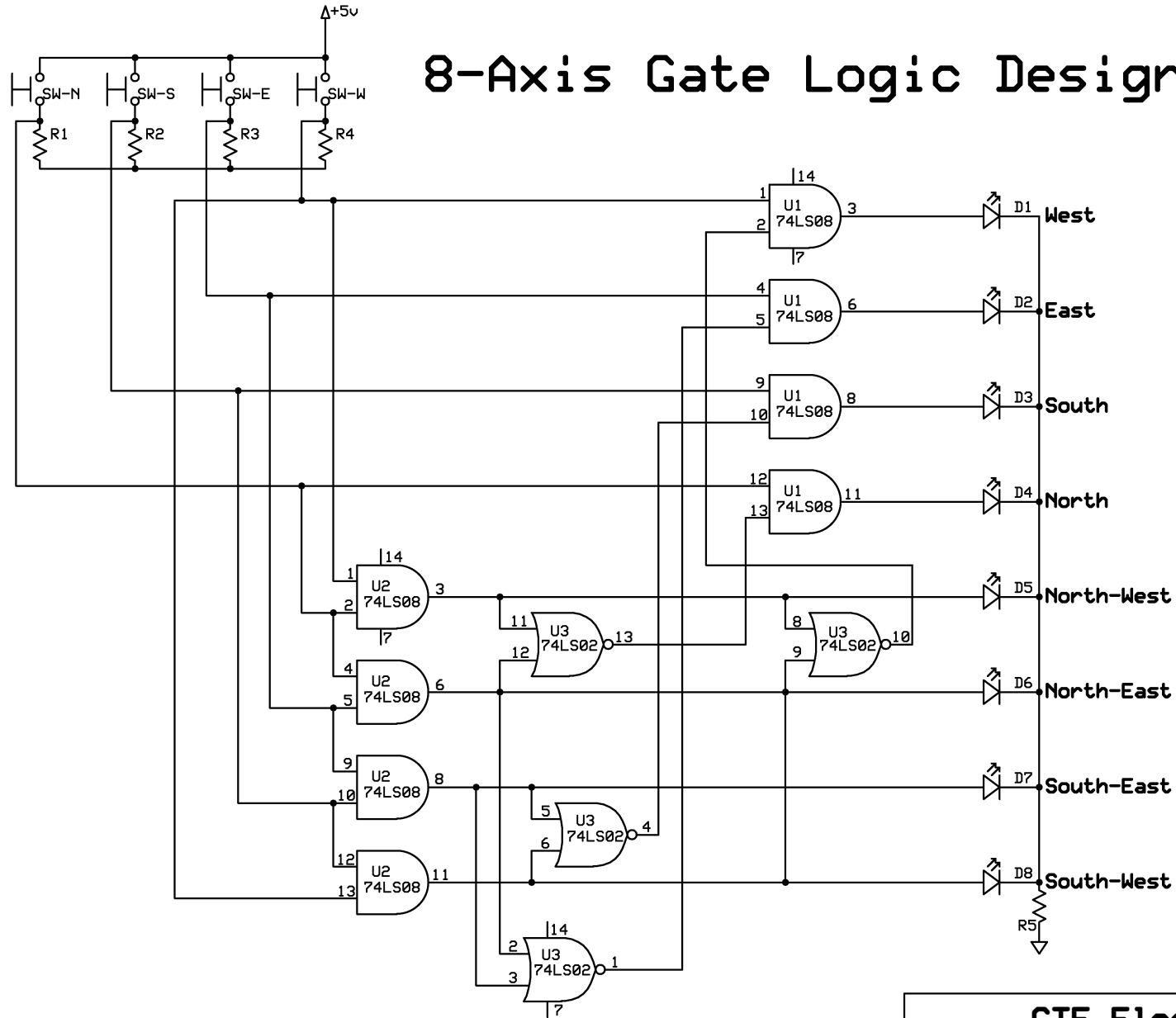


# 8-Axis Gate Logic Design



**Notes:**  
For U1-U3 VCC = Pin 14, GND = Pin 7

**CTE Electronics**

**8-Axis Joystick Decoder**

J. Huddleston

Rev 1.0  
5/29/2020

Page 1 of 1